

6700

ELECTRICALLY
OPERATED
SYSTEMS
6700



G-RAIL[®]

ALUMINIUM RAIL

> *by Goelst*



G-Rail 6700 is a powerful electrically operated roof blind system for skylights and horizontally glazed openings.

Featuring all the benefits of G-Rail low Voltage (24V) electric motor technology, system 6700 has built-in G-Rail CAN BUS intelligence allowing cooperation with most home automation systems.

Using special aluminium profiles, without any intermediate supports, openings up to 4 metres wide can be covered whilst maintaining the light, open atmosphere of skylights and glazed roofs. The perfect system to provide shading and control of solar glare.

Standard colours: White RAL 9010. Special colours available on request.

ELECTRICALLY OPERATED SYSTEMS # 6700



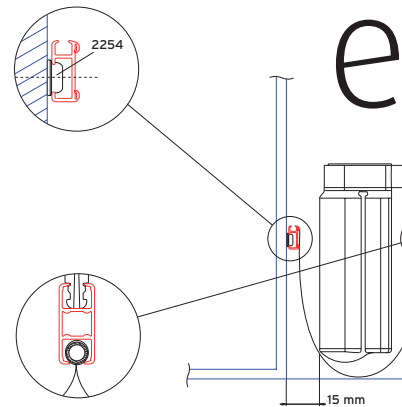
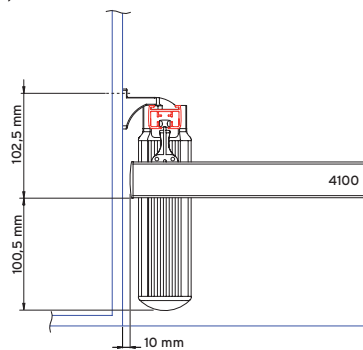
6700^P > Skylight system

Installation

various fixing options are possible

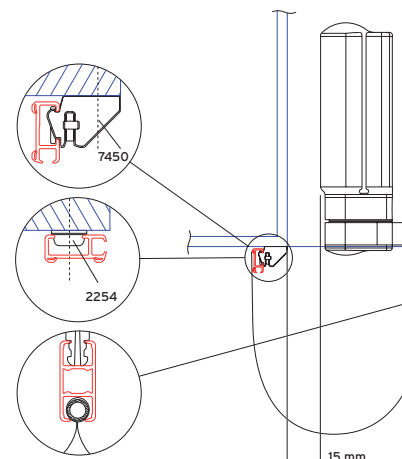
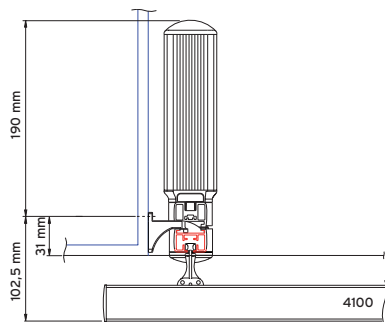
example 1:
'STANDARD' motor position system fixing within opening

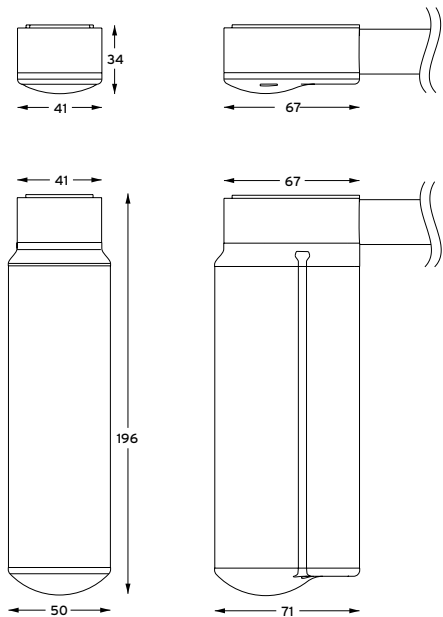
- > fixing with wall support 6051,
- > system to fit within opening



example 2:
'UP' motor position system cover 'outside' opening

- > fixing with support 6051
- > create folds by using ball chain 8032
- > with 'UP'-motor.



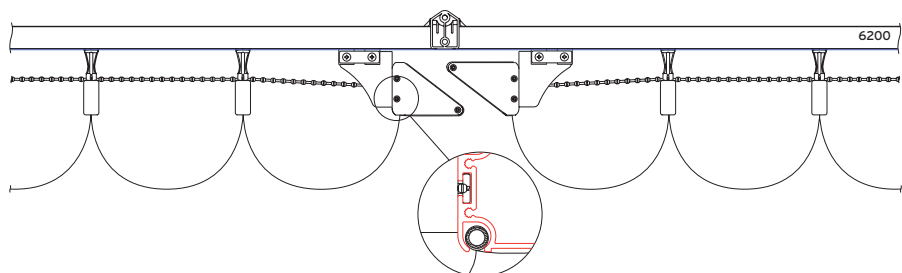
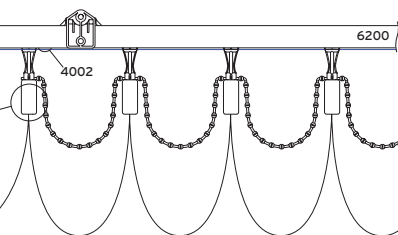
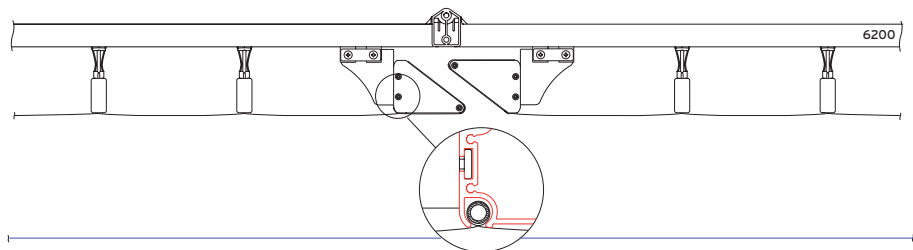
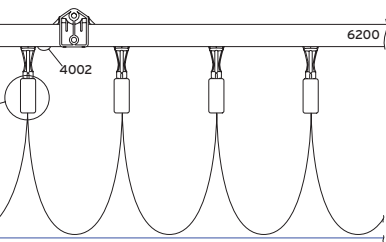


Specification Guide

Special Qualities

- > Silent Operation.
- > System suitable for a variety of fabric types and applications.
- > Powerful motor with low system resistance.
- > Delivered pre-wired for simple 24-Volt installation.
- > Easy control and setting of the system using infrared remote control, switches or RF (radio frequency) from the G-Rail assortment.
- > In-built repeat timer function.
- > Up to 5 intermediate positions programmable.
- > Colour co-ordinated components.
- > Standard travel speed set at 15 cm / second.
- > Variable speed motor facility, launching/docking speeds and distances pre-programmed by Goelst or approved distributor.
- > Standard IR control, optional momentary switch (code 6048-1001). RF (radio frequency) also available on request.
- > Integrated G-Rail 'CAN-BUS' system, allows group / individual control of G-Rail electric curtain tracks
- > Compatible with most existing BUS systems.
- > Maximum system width 4 metres.

System – for effective solar control.



Material:

Aluminium 606035-T6-F22 (higher specification than DIN 1725). Shape and size tolerances are in accordance with EN12020 (DIN 17615). White RAL 9010 powder coated in accordance with the Qualicoat standard. Profile weight per linear metre: 6200: 567 gr/m, 4100: 394 gr/m, 7492-08: 62 gr/m, 6701: 1410 gr/m.

Accessories:

1 to 3 gliders 6710 per metre on each side rail - dependent on number of folds required. Support traverse rods: profile 4100 and tube profile 7492-08 (diameter 8mm) with 2 gliders 6710 per support traverse rod, to suit requirements. Maintain max. 3 kg per glider 6710. Pilot carrier profile 6701 including Velcro tape. Fabric closure: 7400 Velcro profile in combination with supports 7450 or button clip fixing 2254. Ball chain: 8032 to create uniform folds.

Installation:

General advice for installation: one additional support bracket should be fixed at each cover stacking position. 6200 profile ceiling fixing with metal fixing clamp 6050 and / or metal supports 6055-1000. Special recessed fixing with metal profile insert 6055-2200. 6200 wall fixing with wall support 6051 (4cm projection) max weight per 6051: 10kg. Alternative fixing options: please enquire.

Load table

6700	100 kg
-------------	---------------

- > maximum total cover weight (including profiles) per system: 100 kg.
- > maximum load per glider 6710: 3 kg.

Pocket diameter

7492-08	11 mm
----------------	--------------

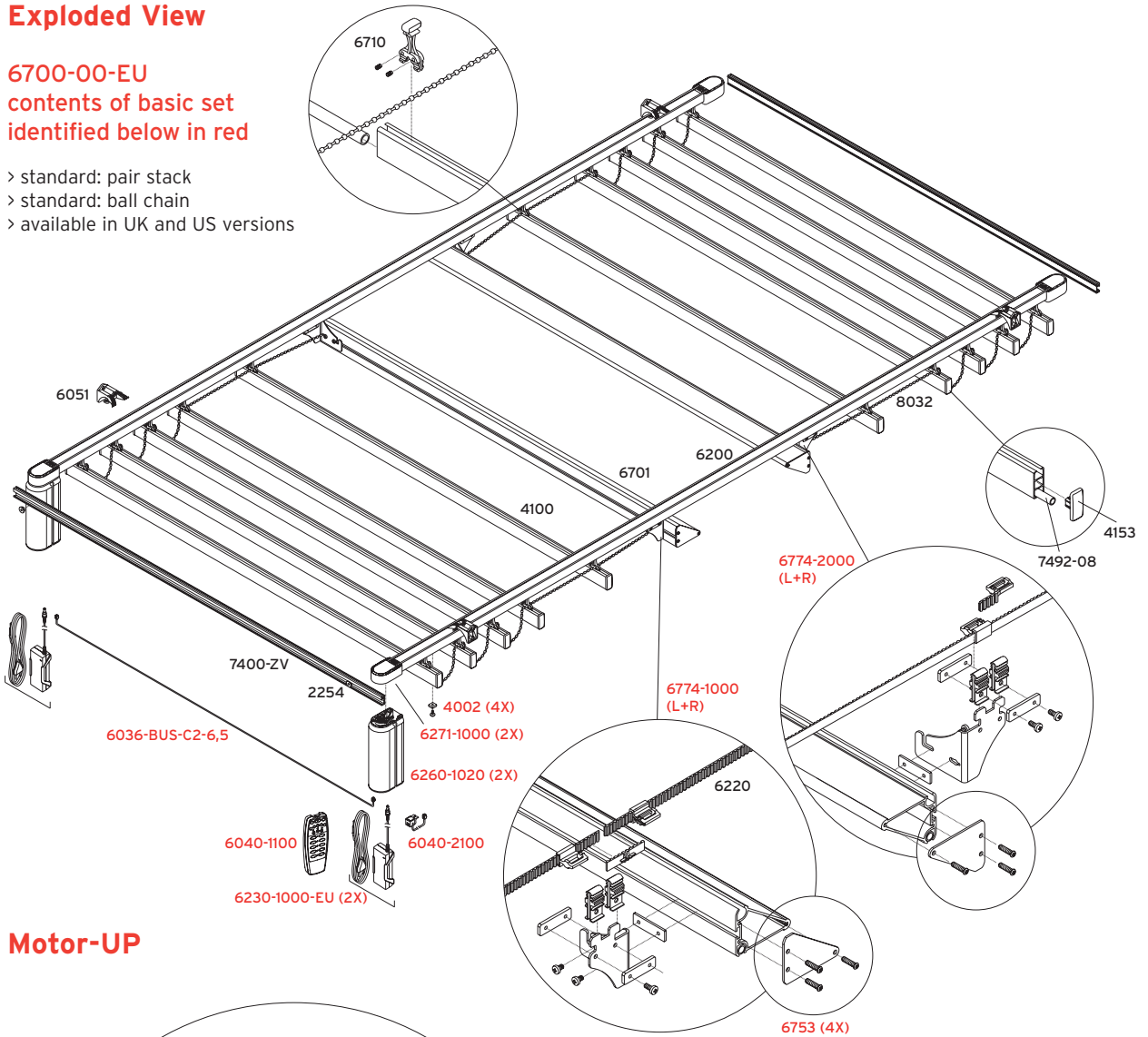
- > pocket diameter in fabric required to fit rod 7492-08.



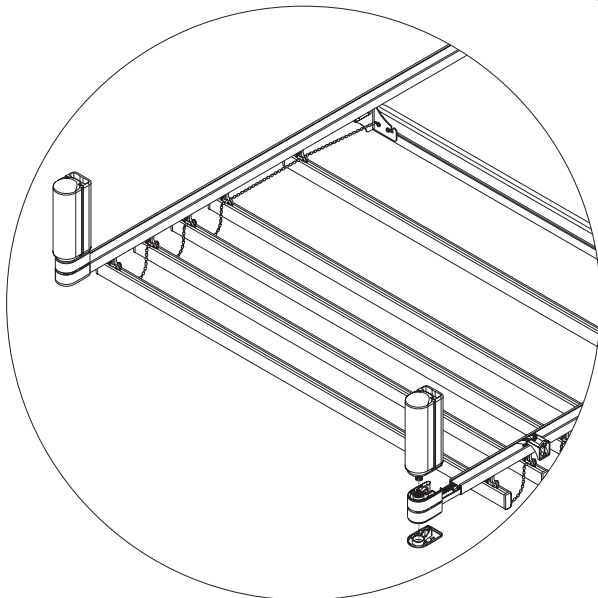
Exploded View

6700-00-EU
contents of basic set
identified below in red

- > standard: pair stack
- > standard: ball chain
- > available in UK and US versions



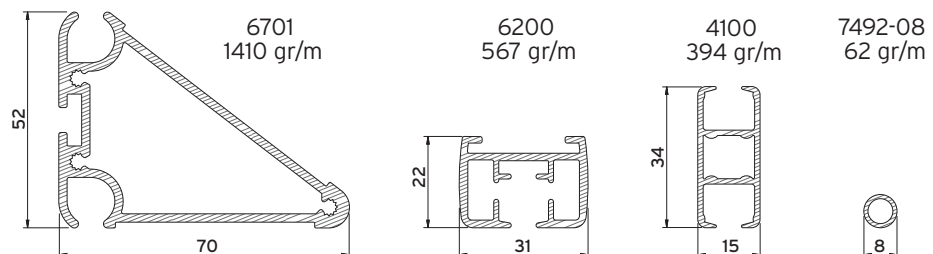
Motor-UP



Version with motor-UP

- > motor is concealed with upward positioning
- > providing complete closure of opening.

Profiles



Components

Product design and specification changes reserved.



When ordering components for self assembly:
 -Select Motor set
 -Profile 6200
 -Drive belt 6220
 -Component parts: see Curtain Transport, Fixing, Accessories and Control sections below.

< 6700-00
 Basic set for systems with two motor units, including infrared control (see exploded view)

6700-10
 Motor set with two motor units, Omitting Infrared controls Including switch 6048-1001-03

6700-20
 Motor set with two motor units, excluding controls: Select controls from the "Connect and Control" brochure.

*) When ordering complete assembled systems please use our order form.

	<p>6200[®] aluminium profile colours: NM - WW</p>		<p>6055-1000 ceiling fixing plate Total curtain weight < 100kg colour: W</p>
	<p>6220 drive belt (10 mm)</p>		<p>6055-2000-35 6055-2000-45 profile insert for recessed fixing, incl. special screw, pre-drilling 6200 profile by Goelst / G-Rail</p>

CURTAIN TRANSPORT

CURTAIN FIXING

	<p>6710 Glider colour: W</p>		<p>7453 endcap for 7400 profile colours: GR - W</p> <p>7400-ZV profile with Velcro colours: N - W</p>
	<p>4153 endcap for 4100 profile colours: GR - W</p> <p>4100 aluminium profile colours: NM - W</p>		<p>2254 button clip colour: W</p>
	<p>7492-08 aluminium tube 8mm diameter colour: N</p>		<p>7450 support for 7400 colours: B - W</p>

ACCESSORIES

	<p>6753 endcap for pilot carrier profile colour: W</p> <p>6701 pilot carrier profile, including Velcro tape colour: W</p>		<p>8032 ball chain for creating folds colour: W</p>
	<p>6052 internal connecting bridge</p>		

FIXING

	<p>6051[®] wall support - 4 cm projection colours: B - GR - W - ZW</p>
	<p>6050 ceiling fixing clamp, incl. washer 6050-1049 total curtain weight < 25 kg</p>

CONTROL OPTIONS



The extensive range of control options are featured in our 'Control' brochure. Alternative control options are available on request.

ELECTRICALLY OPERATED SYSTEMS # 6700

B = Brown
 G = Gold
 GR = Grey
 N = Natural
 NM = Natural Metallic
 W = White
 ZW = Black

= standard item
 = registered design
 = patented design

G-RAIL[®]